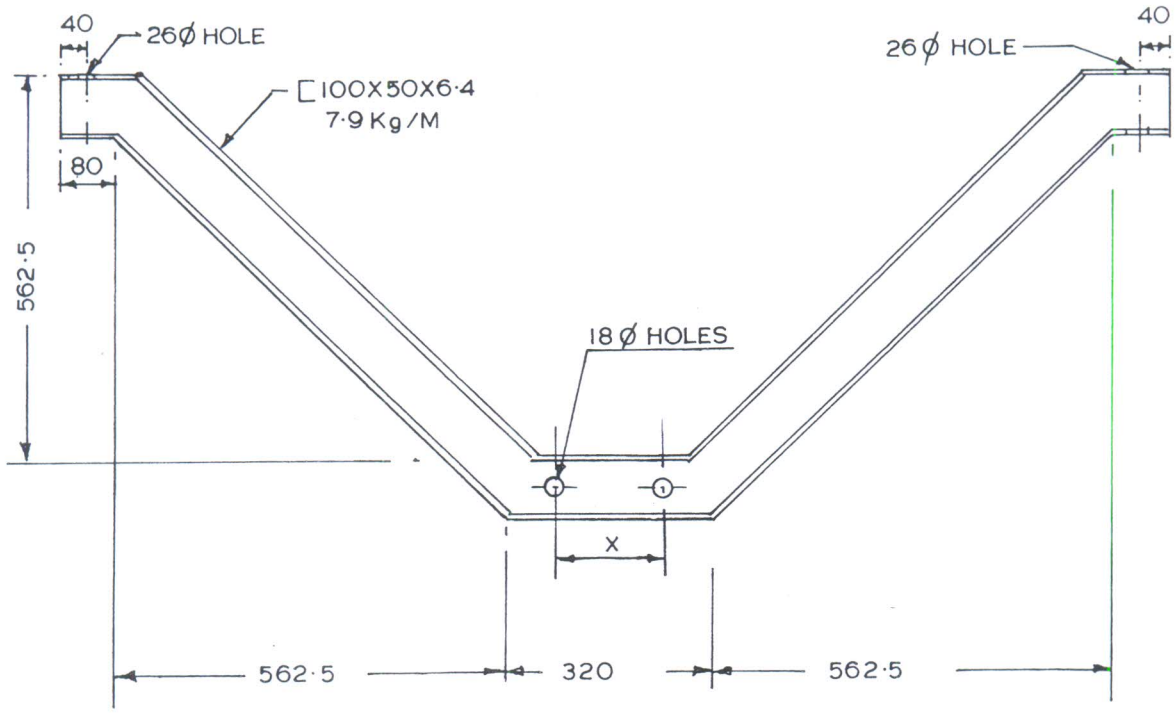
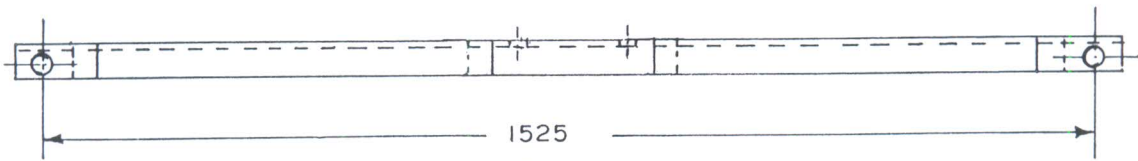


REC
 CONSTRUCTION STANDARD
 M-1



ELEVATION



PLAN

ALL DIMENSIONS ARE IN mm.

X = TO SUIT THE POLE

११ के० वी० लाईन-वी क्रॉस आर्म
 33KV LINES V-CROSS ARM
 SCALE :- N.T.S FEB. - 1979

